

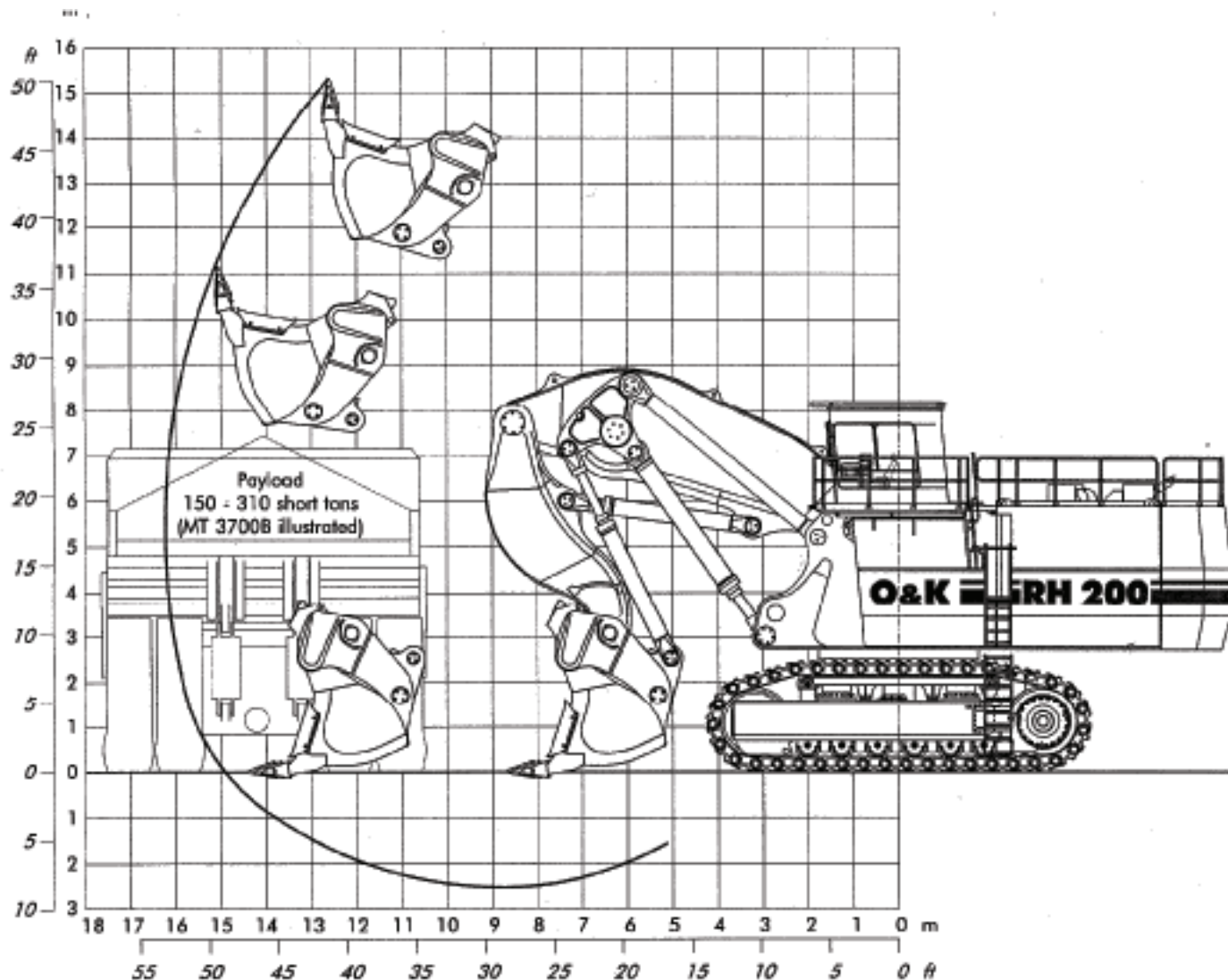


Viotech Engineering Limited

For Sale:

O&K RH200 Crawlers, LS-boom, LS-arm,
LS-bucket and LS-hydraulic cylinders





Crowd force
1 650 kN at ground level
370 800 lbs

1 890 kN max.
424 740 lbs



Breakout force
1 500 kN max.
337 100 lbs

	mm	ft/in
Max. digging height:	15 300	50'2"
Max. digging reach:	16 200	53'2"
Max. digging depth:	2 500	8'2"
Max. dumping height:	11 300	37'1"
Crowd distance on level:	5 700	18'8"



Operating weights

RH 200 - 1400 about 480 000 kg / 1 058 210 lbs

RH 200 - 1600 about 484 400 kg / 1 067 910 lbs

RH 200 - 1800 about 488 800 kg / 1 077 610 lbs

Loading shovels

Further buckets on request



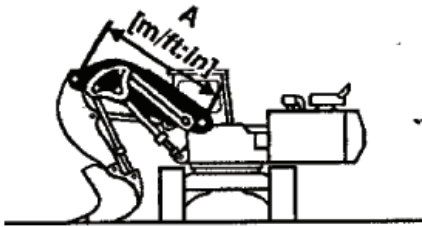
Heavy rock bucket

ESCO-stripper-lip

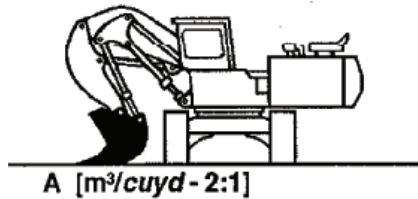
	SAE / PCSA 1:1	m ³	cuyd	24.5	32.0
	SAE / CECE 2:1	m ³	cuyd	21.0	27.5
		mm	ft/in	4700	15'5"
		mm	ft/in	2500	8'2"
	No. of teeth			6	
		kg	lbs	40500	89290
	Max. material density (loose)	t/m ³	lbs/cuyd	2.2	3710
	Standard hardfacing			stage 2	

LS-boom, arm, bucket and hydraulic cylinders

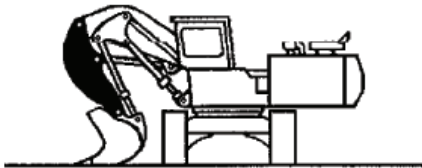
LS-boom



LS-bucket

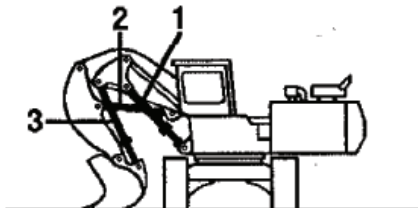


LS-arm



LS-Hydraulic cylinders

(values per cylinder)

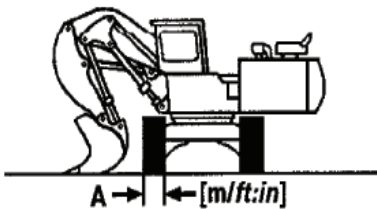


Quantity:	2 sets				
	A	Length m/ft:in	Width m/ft:in	Height m/ft:in	Weight kg/lbs
LS-boom	8.0m/26 ft 3 in	8.9/29'2"	3.1/10'2"	3.6/11'10"	46500/102510
LS-arm		6.0/19'8"	2.8/9'2"	2.0/6'7"	16500/36380
LS-bucket	25.0m ³ /32.7cuyd-2:1	4.4/14'5"	4.8/15'9"	4.1/13'5"	41500/91490
LS-hydraulic cylinders	1: 2 units	5.1/16'9"	0.6/2'	0.7/2'4"	3980/8770
	2: 2 units	4.6/15'1"	0.6/2'	0.6/2'	2630/5800
	3: 2 units	4.6/15'1"	0.6/2'	0.6/2'	2630/5800

Crawlers

Crawler sections (2 units)

(values per crawler)



Pin Diameter	110 mm (4 ³ / ₈ "
Bushing	140 mm (6 ¹ / ₂ "
Pitch	475 mm (1'7")
Travel Speed	max. 2.32 km/h (1.44 mph)
Max. tractive force	2520 kN (257 t = 566320 lbs)
Gradability	approximately 50%

Quantity:	2 sets				
	A m/ft:in	Length m/ft:in	Width m/ft:in	Height m/ft:in	Weight kg/lbs
Crawler Sections (2 units)	1.4/4'7"	8.55/28'1"	1.8/5'11"	2.5/8'2"	69500/153220

Contacts:

Person: Mr. Leung Yuet Hoi

Address: Room 302, 3/F, 29 Austin Road,
Tsim Sha Tsui, Hong Kong

Phone: (852)-2735-8860

Fax: (852)-2735-8900

E-mail: viatech@netvigator.com